

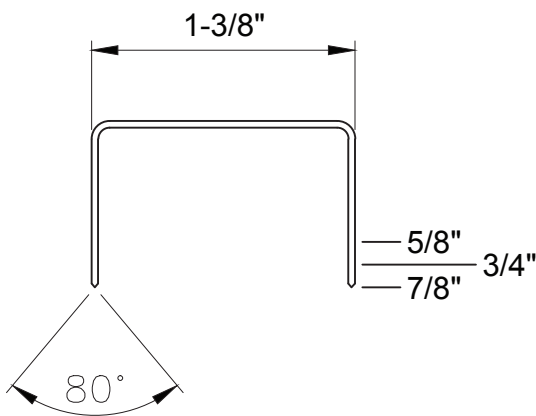
CARTON CLOSING STAPLES

16 Gauge Carton Closing Staples

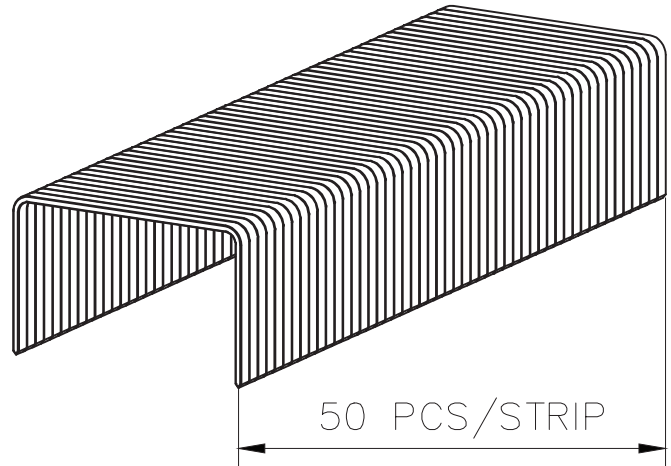
Use with the following UNICATCH tools: USC1634C, USC1634MC, USC1634A & USC1634MA

ITEM#	DESC.	LENGTH	WT/CTN (LBS)	M/BX	BXS/CTN	PLT Q'TY (BY CARTONS)	LIST PRICE	
							PER/M	PER/CTN
A-Type, 1-3/8" Crown								
87936	CA58	5/8"	42	2	10	48	\$4.00	\$80.00
87937	CA34	3/4"	50	2	10	48	\$4.15	\$83.00
87938	CA78	7/8"	57	2	10	48	\$4.70	\$94.00
C-Type, 1-1/4" Crown								
87940	CC58	5/8"	32	2	10	60	\$3.40	\$68.00
87939	CC34	3/4"	37	2	10	60	\$3.75	\$75.00
87941	CC78	7/8"	42	2	10	60	\$4.40	\$88.00

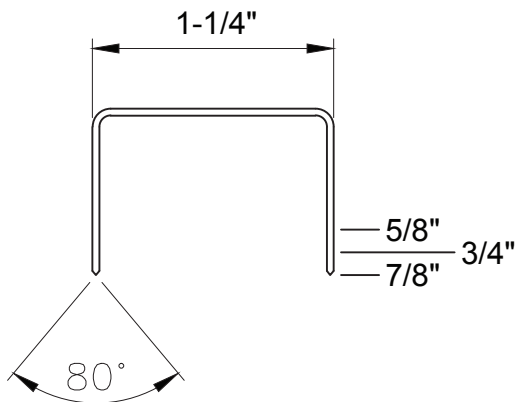
A-Type 16GA



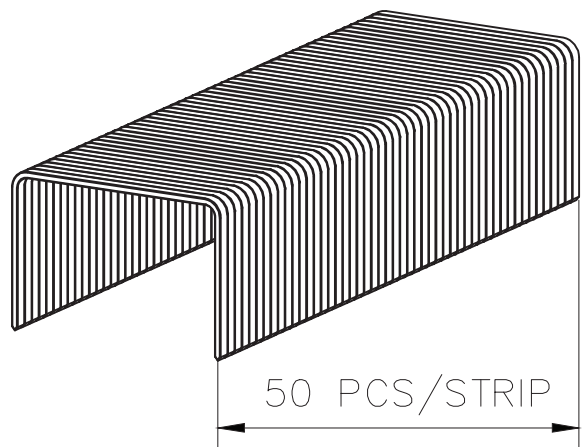
Actual Size



C-Type 16GA



Actual Size



****Stainless steel available on special order. Please call for quote and availability****